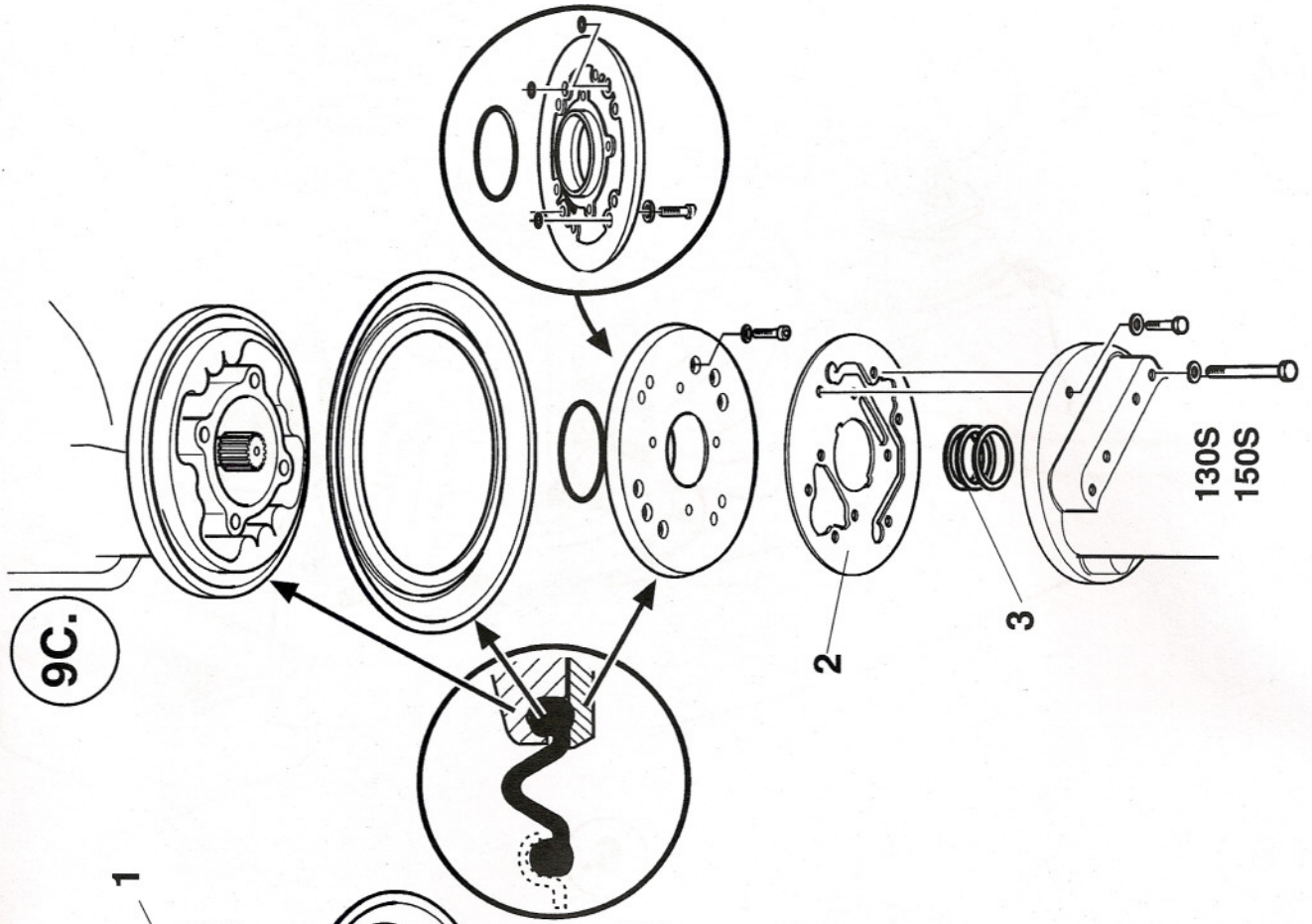
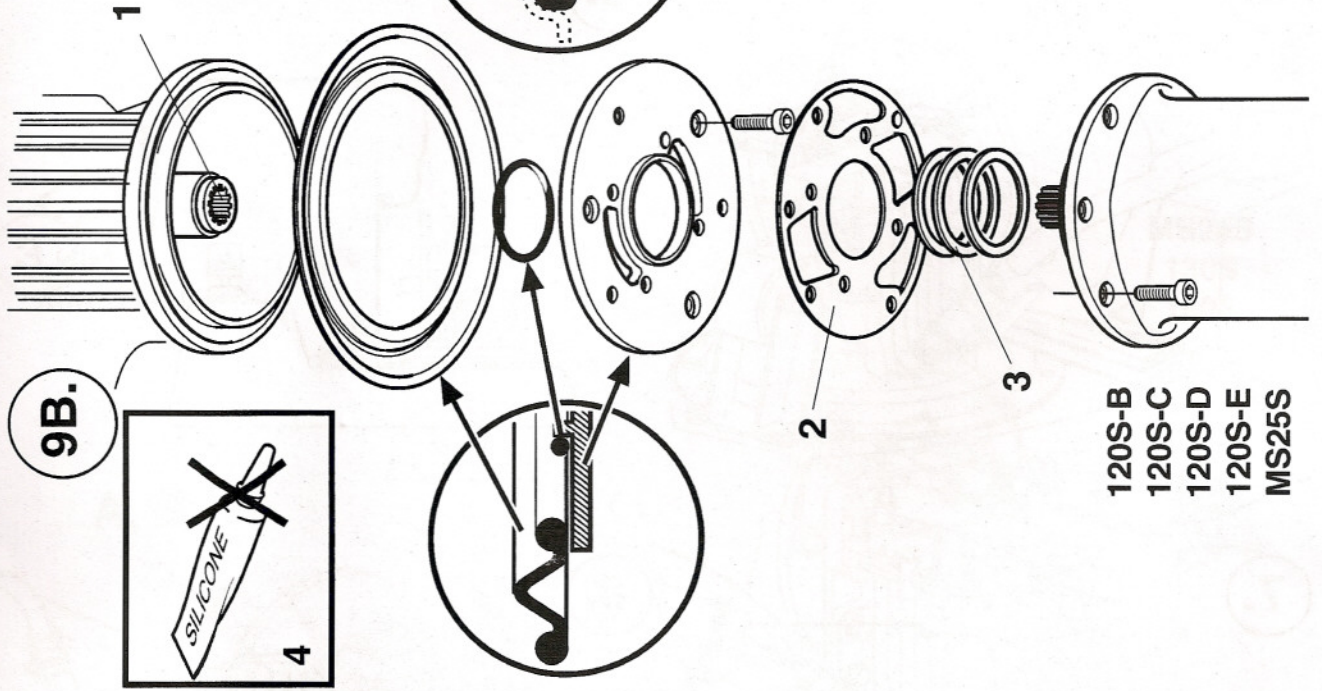


9C.



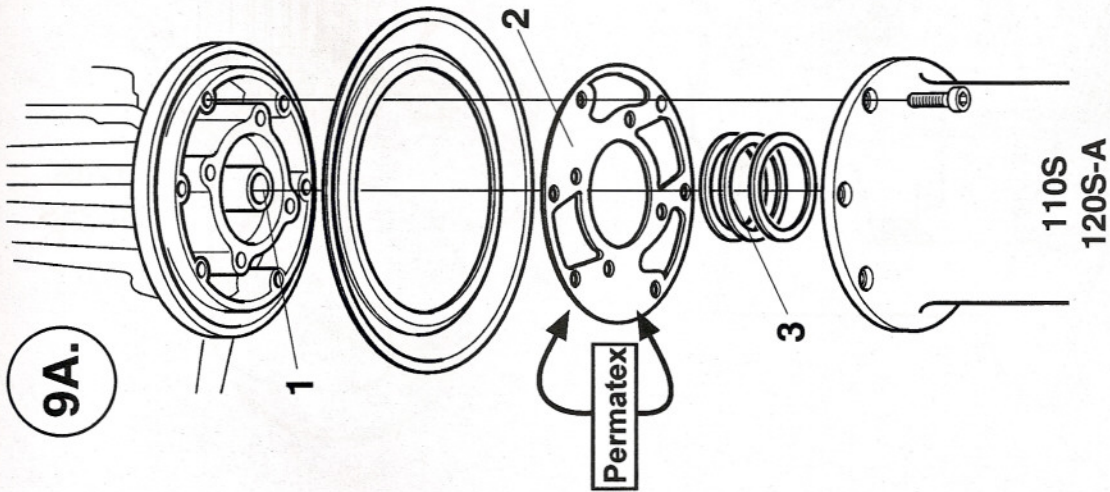
130S
150S

9B.



120S-B
120S-C
120S-D
120S-E
MS25S

9A.



110S
120S-A