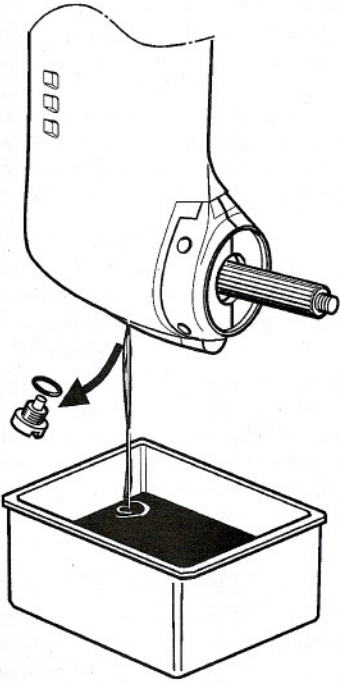
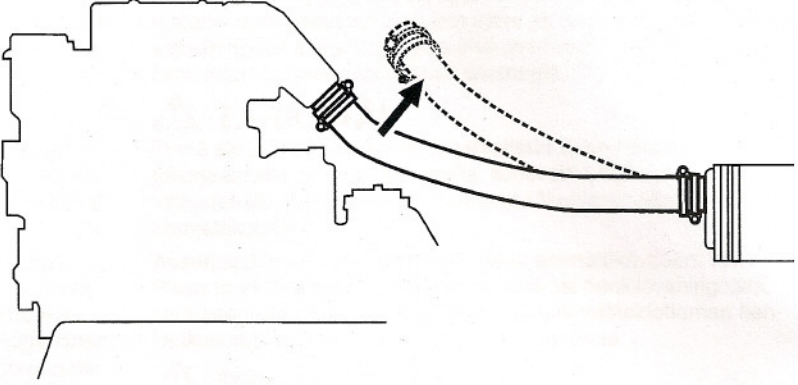


1.



2.

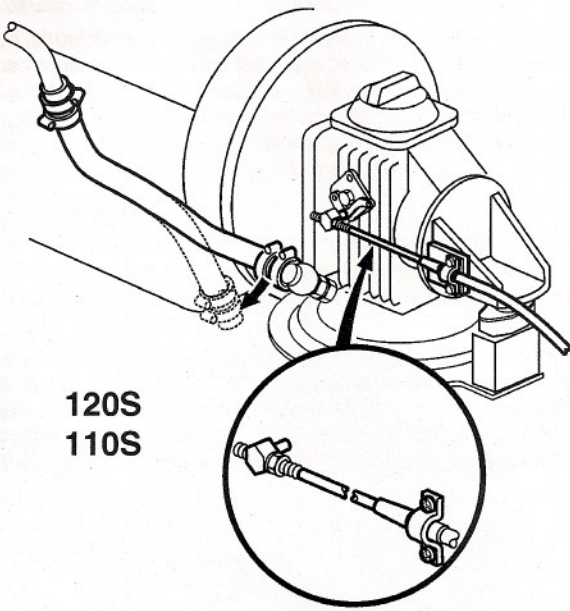


3.



MS25S  
130S  
150S

A, B



120S  
110S

C

